



# QDD10L

## Electric Tractor 1.0T

- Lithium battery, convenient charging;
- Creative design;
- Large traction;
- Comfortable and stable operation.

**LI-ION**  
TECHNOLOGY

**EP EQUIPMENT CO.,LTD**  
[www.ep-equipment.com](http://www.ep-equipment.com)



## FEATURE

### ■ Lithium battery: opportunity charging

QDD10L is designed fully around the concept of Li-Ion technology and it is equipped with Li-Ion battery as standard. Both on-board and external chargers are available, which makes charging conveniently.



### ■ Large traction

It can draw cargo of 1000kg on a slope with the falling gradient of 3°.



### ■ Comfortable and stable operation

It adopts 250mm diameter pneumatic tires that are not easy to skid and it has great passing-ability. The height of the handle can be adjusted to realize operation comfort.

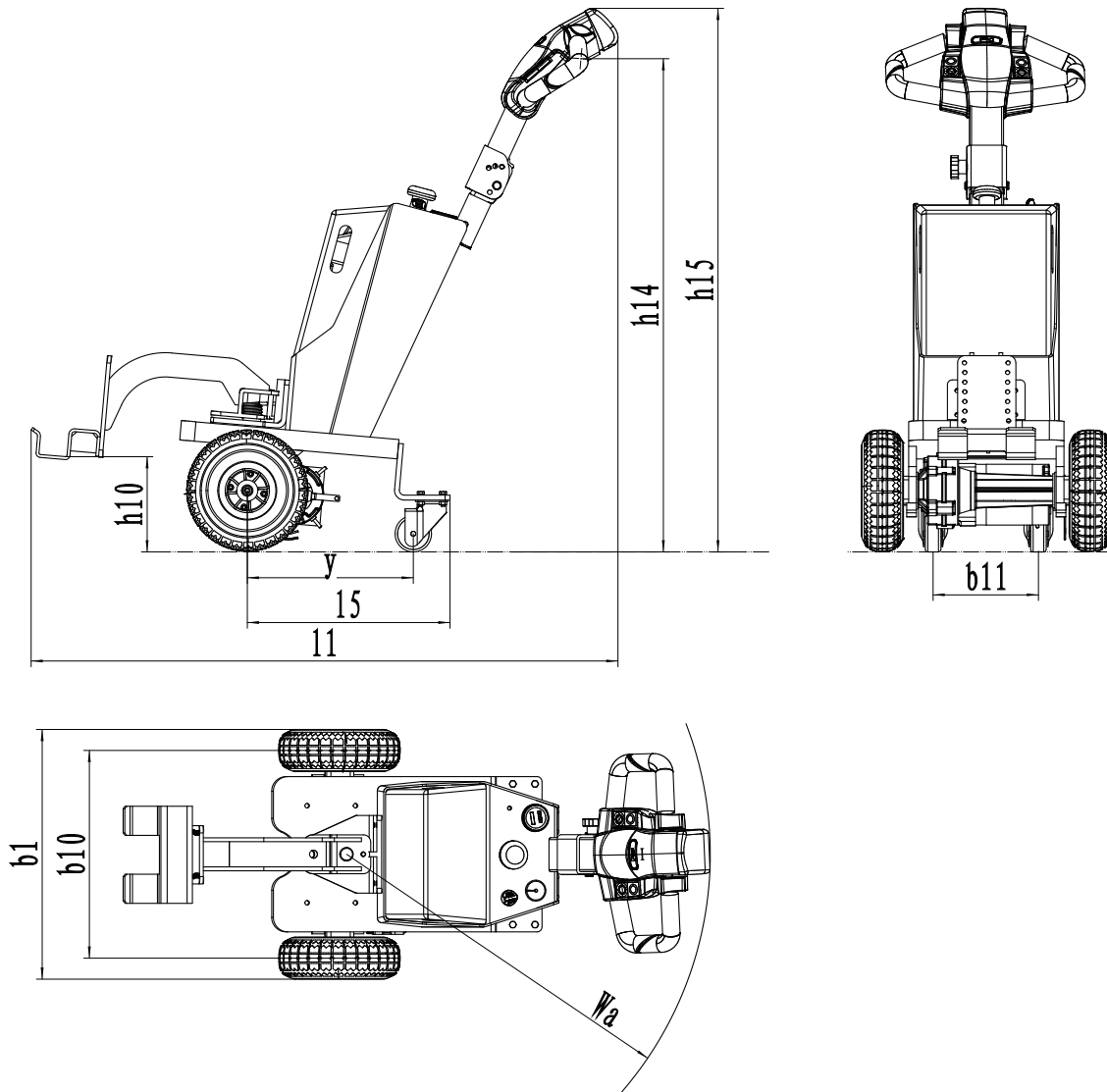


# Electric Tractor 1.0T

## QDD10L

Distinguishing mark	1.1	Manufacturer			EP
	1.2	Model designation			QDD10L
	1.3	Drive			Electric
	1.4	Operator type			Pedestrian
	1.5	Load capacity	Q	kg	1000
Service weight	1.9	Wheelbase	y	mm	320
	2.1	Service weight		kg	120
	2.2	Axle loading, laden front/rear		kg	120/0
Tyres/chassis	2.3	Axle loading, unladen front/rear		kg	95/25
	3.1	Tyre type			Pneumatic
	3.2	Tyre size, front		mm	2x $\Phi$ 250x85
	3.3	Tyre size, rear		mm	2x $\Phi$ 75x32
	3.4	Additional wheels (castor wheels)		mm	—
	3.5	Wheels, number front/rear (x=drive wheels)		mm	2x /2
	3.6	Tread width, front	b10	mm	428
Dimensions	3.7	Tread width, rear	b11	mm	217
	4.2.1	Overall height	h15	mm	896~985~1074
	4.8	Seat height/standing height	h7	mm	—
	4.9	Height of tiller handle in drive position min./max.	h14	mm	841~936~1016
	4.12	Tow coupling height	h10	mm	—
	4.19	Overall length	l1	mm	1210~1270~1300
	4.21	Overall width	b1/b2	mm	520
Performance data	4.32	Ground clearance, center of wheelbase	m2	mm	—
	5.1	Travel speed, laden/unladen		km/h	4.5/5
	5.5	Drawbar pull, laden/unladen		N	200/0
	5.6	Max. drawbar pull, laden/unladen		N	650/0
	5.8	Max. gradeability, laden/unladen		%	3/16
Electric-engine	5.10	Service brake			Electromagnetic
	6.1	Drive motor rating S2 60 min		kW	0.4
	6.4	Battery voltage/nominal capacity		V/Ah	24/20
Addition data	6.5	Battery weight		kg	5.8
	8.1	Type of drive control			DC
	10.5	Steering design			Mechanical
	10.7	Sound pressure level at the driver's ear		dB(A)	74
	10.8	Towing coupling, type DIN 15170			—

If there are improvements of technical parameters or configurations, no further notice will be given.  
The diagram shown may contain non-standard configurations.



## Option:

No.	Optional items	QDD10L
2.3	Drive wheel material	●Rubber
2.5	Front wheel material	●Pneumatic ○ solid
2.7	Battery capacity	●20Ah(Li-ion)
2.8	Charger	●24V-10A internal ○24V-10A external
2.9	Battery indicator	●Without time○With time
2.13	Traction pin	●No○Yes and not customized
2.16	handle head type	●Hands big handle head

Note: ●Standard ○ Optional - Inconformity